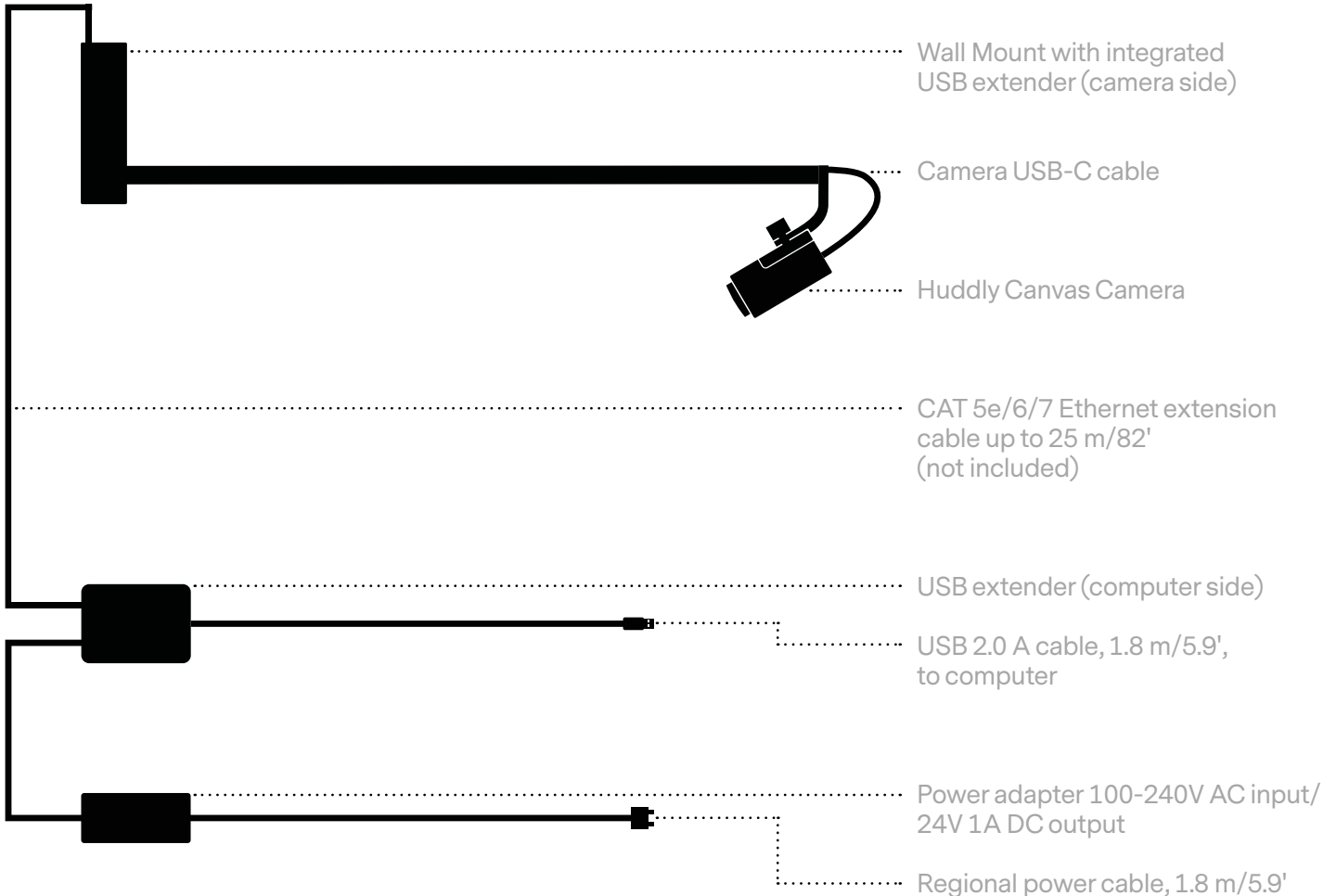


# Huddly Canvas

## Spec sheet



### Connectivity

Canvas connects to a meeting room device via a USB-A port

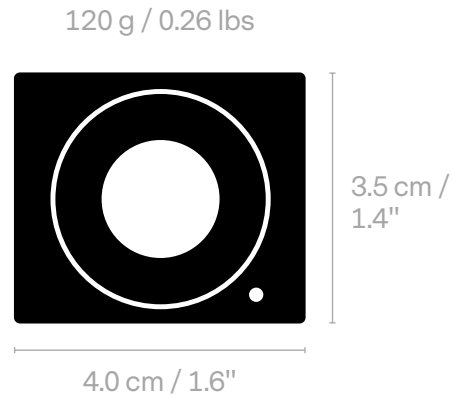
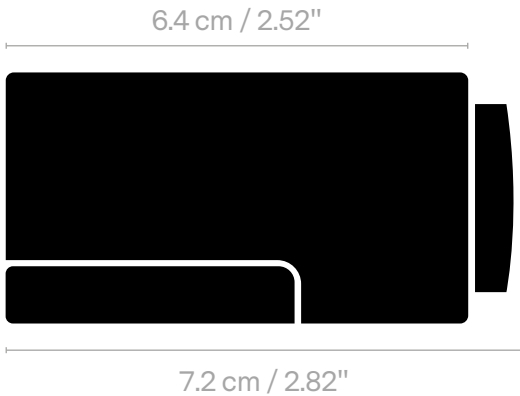
The USB extender allows the product to be installed in any size room. Requires a CAT 5e/6/7 cable up to 25 m (not included) and connection to power outlet. 100-240V power adapter with regional power cable included.

Learn more about the Icron USB extender:

<http://www.icron.com/pdf/usb-2-0-ranger-2311-datasheet.pdf>

# Huddly Canvas

## Camera specifications



### Camera software

- Canvas whiteboarding enhancement technology
- Precise scaling and dewarping
- Automatic white balance and color correction
- Optical aberration correction
- Low latency whiteboard image processing

### Image Sensor

- 12 Megapixels 1/2.3" CMOS Sensor
- 1080p Full HD
- 720p HD

### Output

- 16:9 aspect ratio output

### Connection Types

- USB Type-A connector
- MJPEG support over USB 2 and USB 3

### Optics

- Ultra-wide angle glass optics
- f/2.8 aperture
- Horizontal field of view 120°
- Supports whiteboards up to 2 x 1.2 m/6' x 4'

### Hardware Specifications

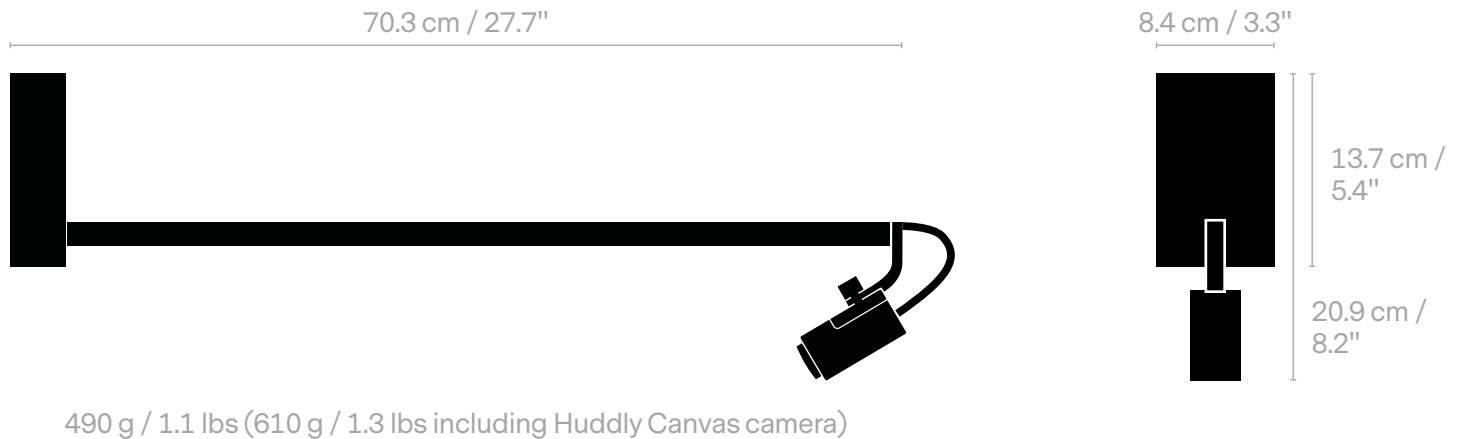
- Aluminium unibody construction
- High-performance video processing engine
- Neural compute engine
- Embedded mounting hinge

### Color

- Matte Black

# Huddly Canvas

## Wall mount specifications



### Hardware Specifications

Aluminium construction

Integrated USB extender (camera side).

Extends USB connection over Ethernet

USB-C to A Huddly IQ Cable

### Installation

Mount 14 cm/5" above any whiteboard,  
up to 2 m x 1.2 m/6' x 4'

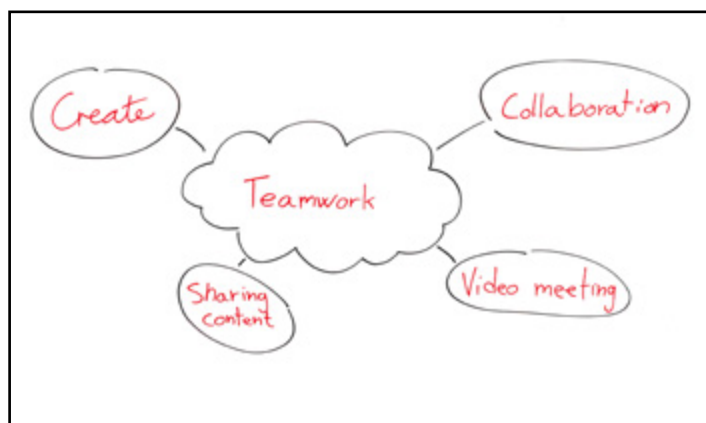
Requires four screws suitable for your wall  
type, 5 mm diameter, or #10 screw (not  
included)

### Color

Matte Black

# Huddly Canvas

## Whiteboard enhancement



### Image Processing Pipeline

- Efficient and flexible image scaling
- Balanced optical aberration correction
- Automatic white balance
- Color correction
- Well-tuned sharpening filters
- Noise reduction with spatial noise filter

### Motion Estimation

Depending on your room system and settings, the camera can sense motion and automatically turn on when the whiteboard is in use

### Whiteboard Perspective Correction

The camera automatically perspective corrects the whiteboard image

### AI Whiteboard Detection

The camera automatically locates the position of the whiteboard

### Whiteboard Auto-Crop

The camera zooms in to the whiteboard to give you a clear image of the content

### AI Whiteboard Enhancement

- Enhances text visibility and readability
- Boosts marker colors
- Removes shadows, gloss, and visual noise
- Hides people standing in front of the whiteboard